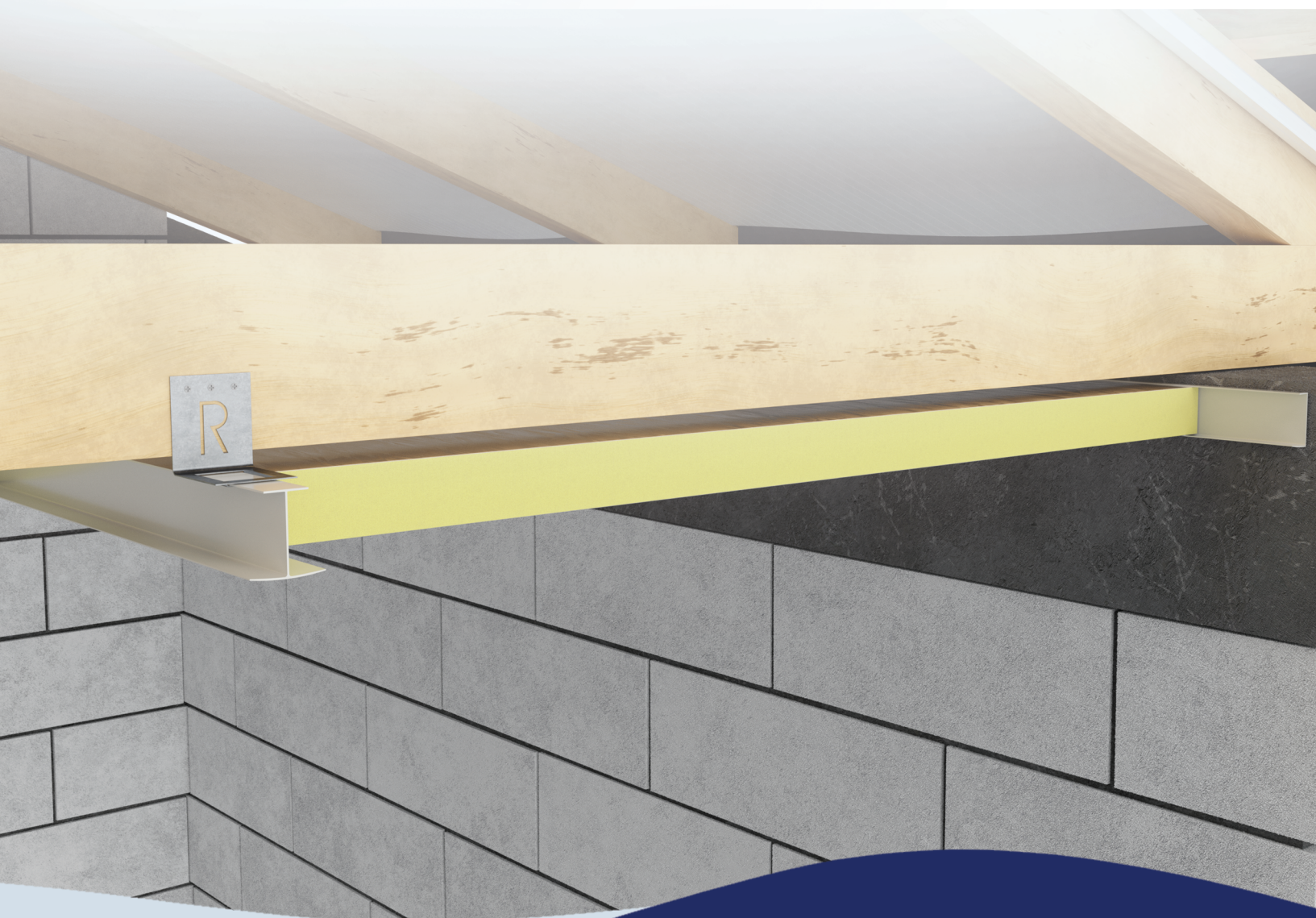




AGRO board fixing system



R-FOLL sp. z o.o.

📍 32-010 Łuczyce, ul. Dworska 16

✉ **phone:** 12 346 42 96

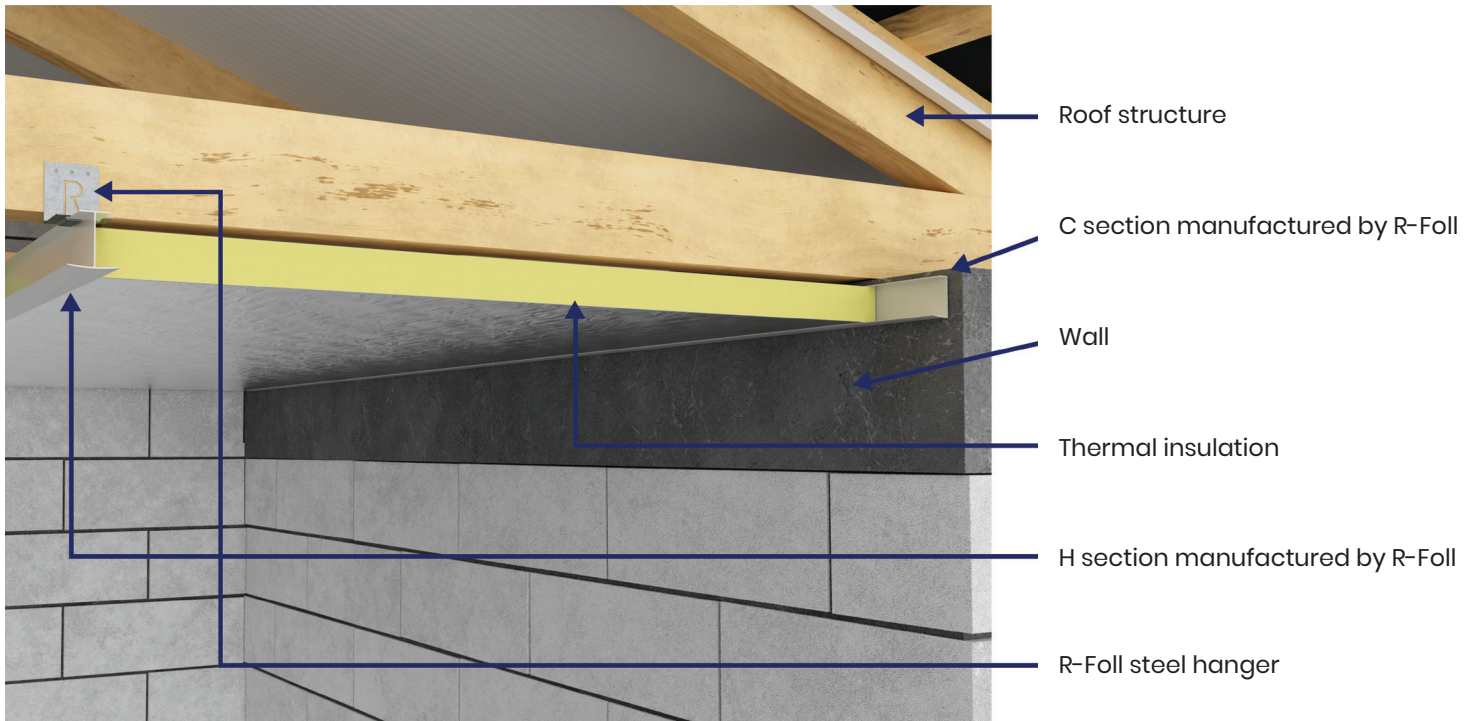
☎ **e-mail:** biuro@rfoll.pl

www.rfoll.pl

AGRO board fixing system

It enables boards to be installed rapidly and easily due to H and C sections of a special design adapted to board thickness, and a specially designed metal hanger which can be easily attached to both metal and wooden structures.

H and C sections and hangers used in AGRO suspended ceilings



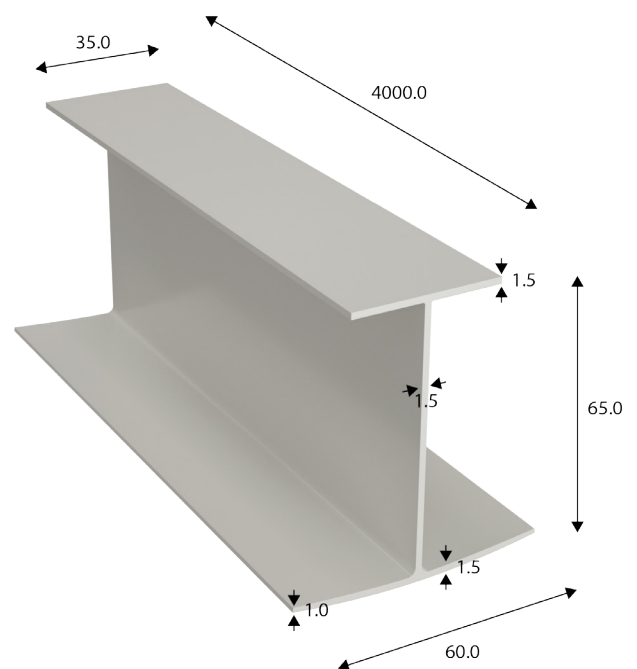
Dimensions:

Standard lengths:

H 50	C 50	H60	C 60
4 mb	4 mb	4 mb	4 mb

Non-standard lengths:

Available after prior agreement with the R-FOLL sales department.



Application:

The “R ...” system is particularly designed for the construction of ceilings in new livestock buildings such as barns, piggery or hennery houses, and for refurbishing all buildings that require better thermal insulation.

Assembly:

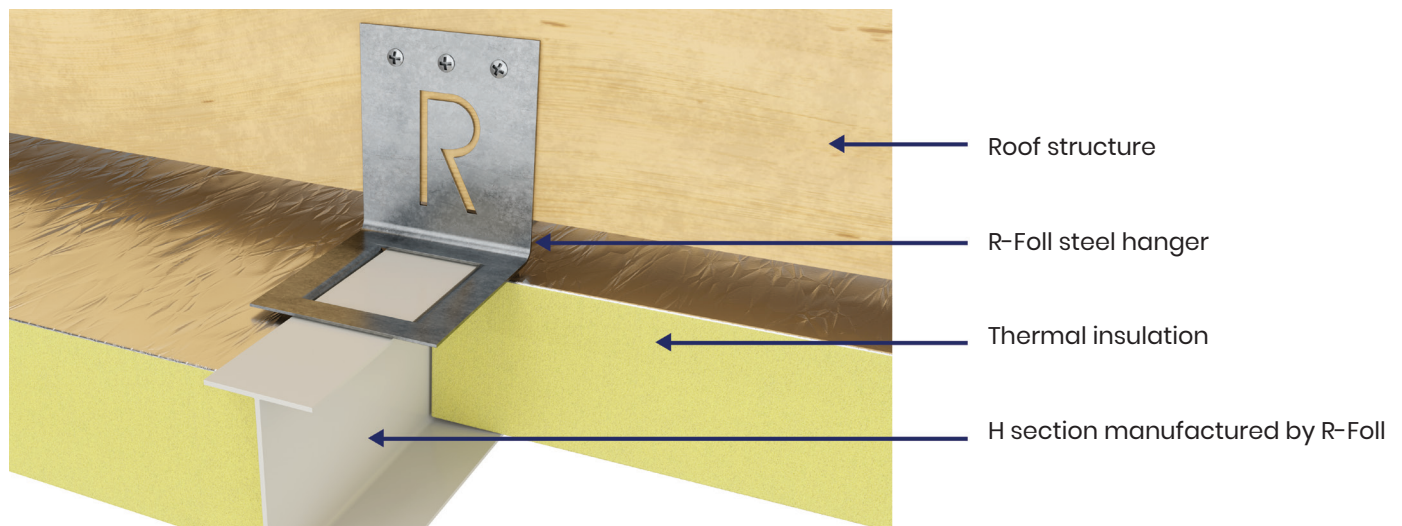
The metal hanger can be easily attached with fasteners to both metal and wooden structures. Owing to a special lock, the connection of sections to the hanger is very quick and reliable.

Resistance:

Thanks to the appropriate material used, sections are resistant to aggressive environments that occur inside livestock buildings.

A special additive maintains colour for a long time, avoiding section discolouration and yellowing. The material is also resistant to frequent pressure washing.

H and C sections and hangers used in AGRO suspended ceilings



Type of plastic	White polystyrene
Pigment	Grey W9042
Weight H 50	219 g/running meter
Weight C 50	140 g/running meter
Weight H 60	242 g/running meter
Weight C 60	163 g/running meter
Thickness tolerance	- 1% do +9%
Length tolerance	- 10mm do + 10mm

R-FOLL sp. z o.o.

 32-010 Łuczyce, ul. Dworska 16

 **phone:** +48 12 346 42 96

 **e-mail:** biuro@rfoll.pl